

AQUASTAR - MODEL: EU1S

Underwater Luminaires

WAC

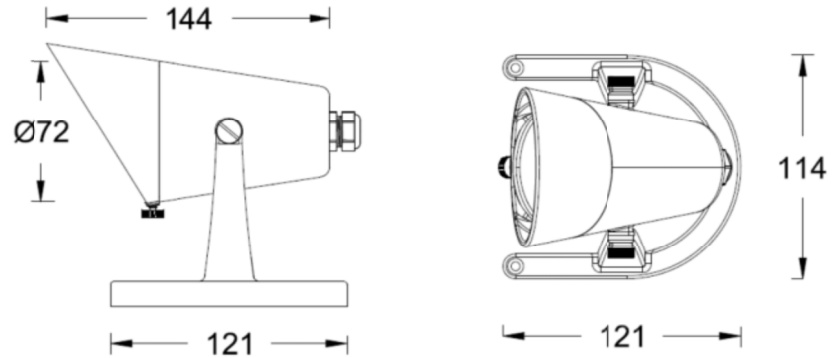
PROJECT:

TYPE:

Product Image



Line Drawing



Product Description

Aquastar series underwater floodlights , Fully cast copper lamp body , Faster and more stable heat dissipation , Durable and sturdy material. Install in a horseshoe shape, Exquisite and meticulous appearance and structural design, Excellent optical performance, Suitable for fountain, swimming pool, and seaside functional lighting.

Product Features

- Body Material: Copper lamp body
- Optical System: Lens
- Finish: /
- Adjustable Angle: -30~+90°
- Accessories: /
- Certification: /
- IP Rating: IP68
- Insulation Level: Class III
- Operating Temperature: -20°C~50°C

Product Specifications

- LED Type: High Power LED
- Light Power: 6.6W (Max)
- Source Lm: 3000K 560lm
- LED Lifetime: >50000h-L70 /B10-Ta25°C(LM-80/TM-21)
- CCT/CRI: 3000K,4000K,6000K ,Ra80;RGB,Blue 2700K-6
- SDCM: 3 SDCM
- Input: 12V DC
- Dimming: ON-OFF /DMX512
- Net Weight: 2.7Kg without packing

Order Model

Model	Power (W)	LED (quantity)	Max Lumens	Control Systems	Beam	CCT	Finish
EU1S-07	7(Max)	3	517	ET ON-OFF 12V DC Power Supply MT DMX512 Dimming 12V DC Power Supply	S 8° 1 15° 2 20° 4 40°	30 3000K 40 4000K 60 6000K FC RGB B Blue	NB Natural Brass

Example: EU1S-07ET-S30NB

AQUASTAR - MODEL: EU1S

Underwater Luminaires



PROJECT:

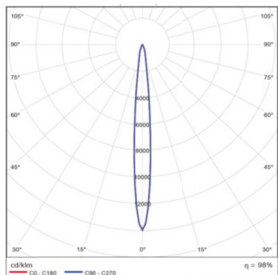
TYPE:

Model	Power (W)	LED (quantity)	Max Lumens	Control Systems	Beam	CCT	Finish
EU1S-07	7(Max)	1	160	MT DMX512 Dimming 12V DC Power Supply	1 15° 2 25° 4 35°	F40 RGBW(4000K) F60RGBW(6000K)	NB Natural Brass

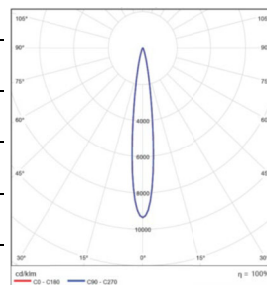
Example: EU1S-07MT-1F40NB

ACCESSORY

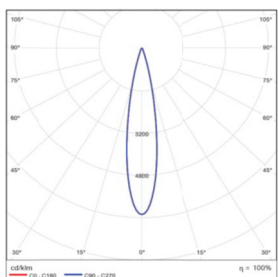
LIGHT DISTRIBUTION@3000K LUMINAIRE DATA



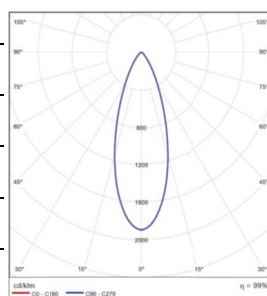
MODEL: EU1S-07ET-S30NB
BEAM ANGLE: 9.5°
POWER: 7.9W
LUMENS: 480.9lm
CBCP: /
EFFICACY: 61.1lm/W



MODEL: EU1S-07ET-130NB
BEAM ANGLE: 14.3°
POWER: 7.9W
LUMENS: 516.9lm
CBCP: /
EFFICACY: 65.4lm/W



MODEL: EU1S-07ET-230NB
BEAM ANGLE: 19.8°
POWER: 7.9W
LUMENS: 512.3lm
CBCP: /
EFFICACY: 64.8lm/W



MODEL: EU1S-07ET-430NB
BEAM ANGLE: 36.9°
POWER: 7.9W
LUMENS: 472lm
CBCP: /
EFFICACY: 59.8lm/W